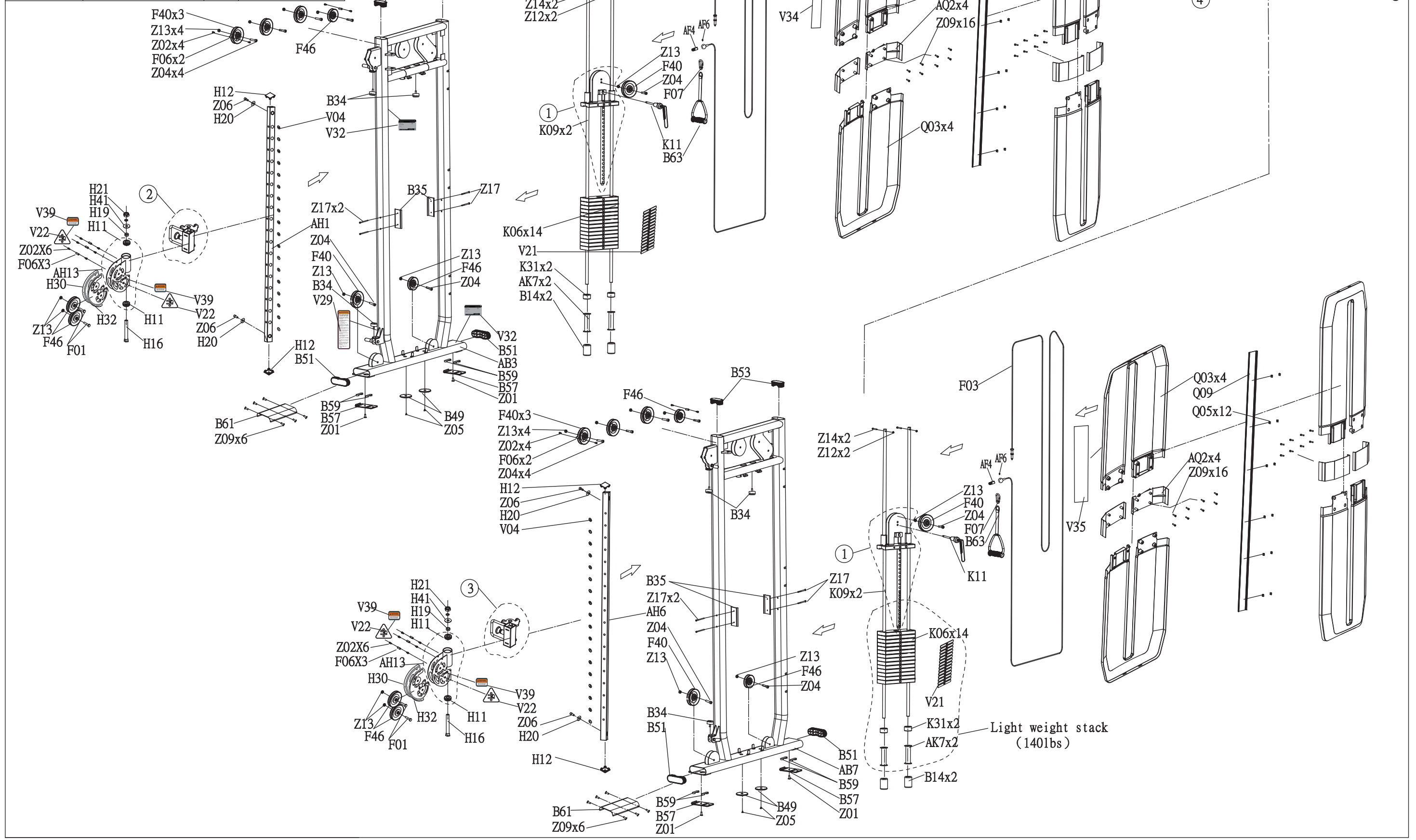
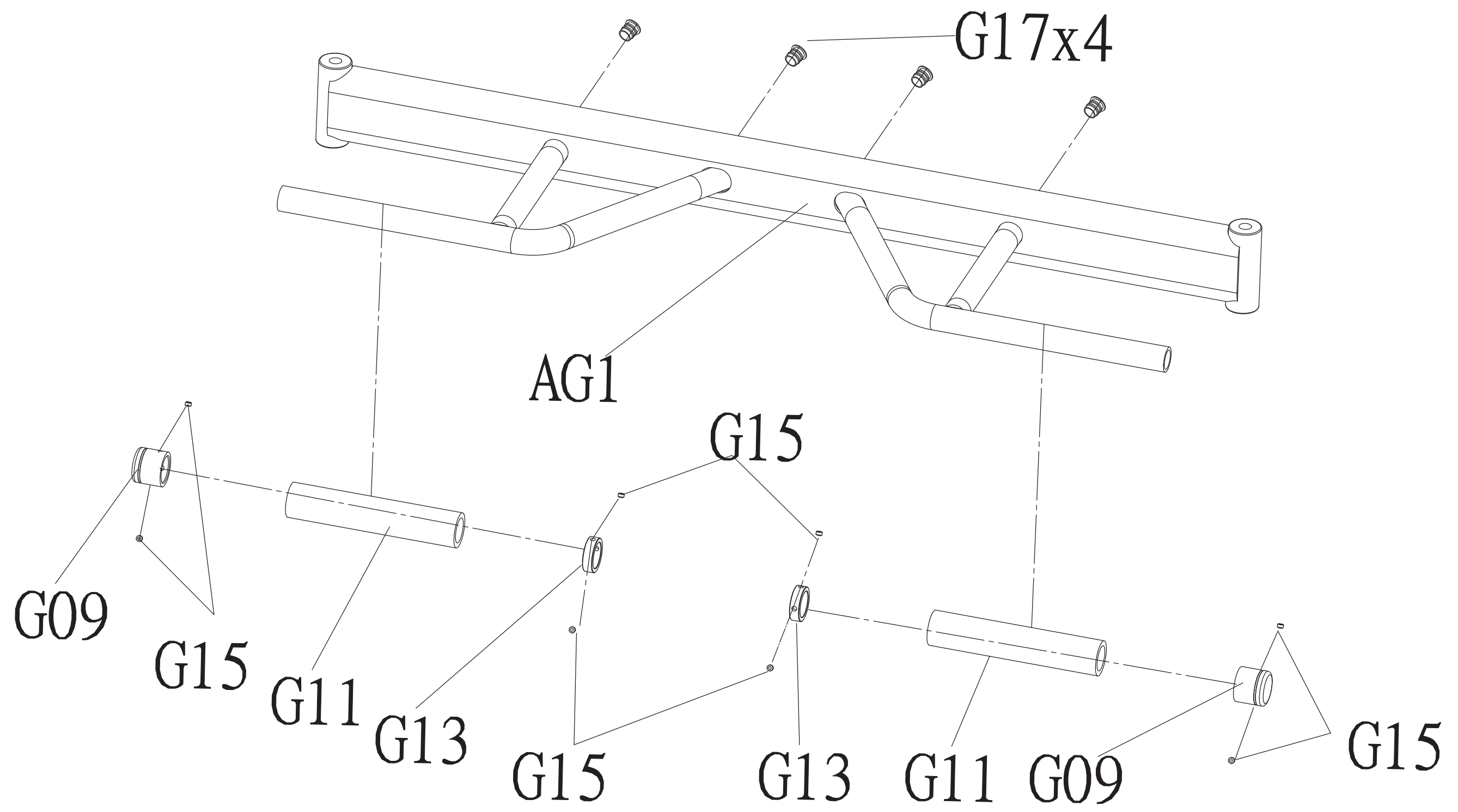


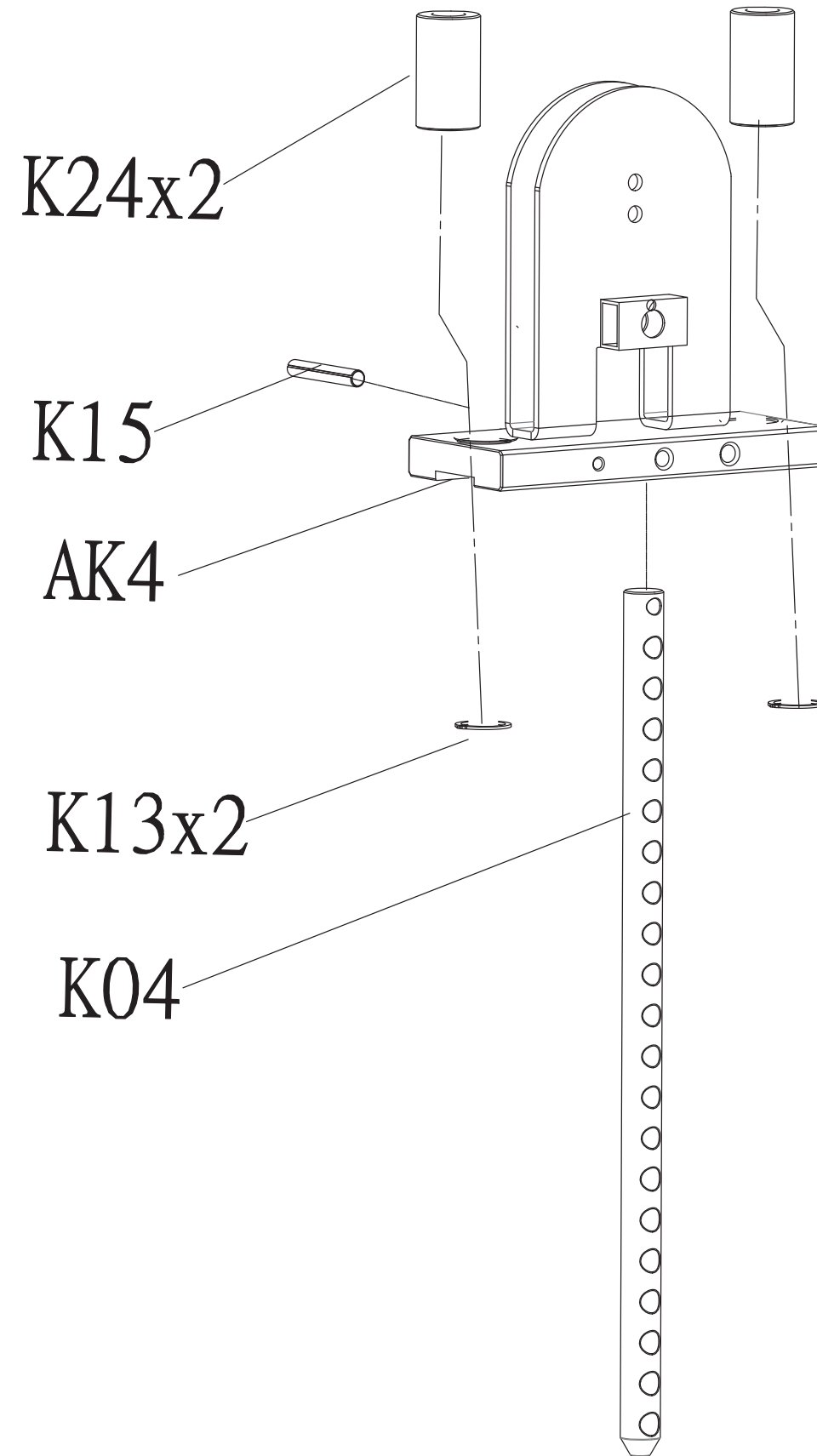
DRAWING NO	PGM106-KM		
PART NAME	Explosive Diagram		
PART NO	MGM0591-00	REV	A
APPROVE	SuYehua	DATE	2021.11.24



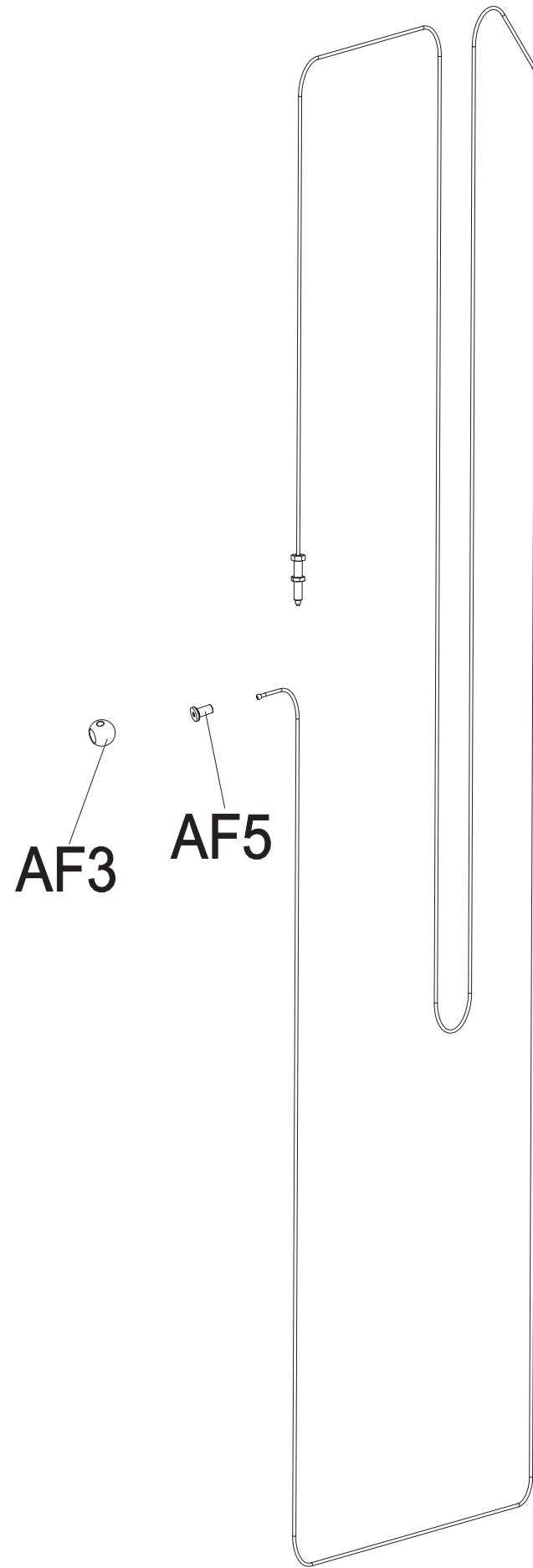
DRAWING NO	GM106-SF04		
PART NAME	Link Set;Up;Black Matte		
PART NO	1000392076	REV	A
APPROVE	Forrest	DATE	07/25/16



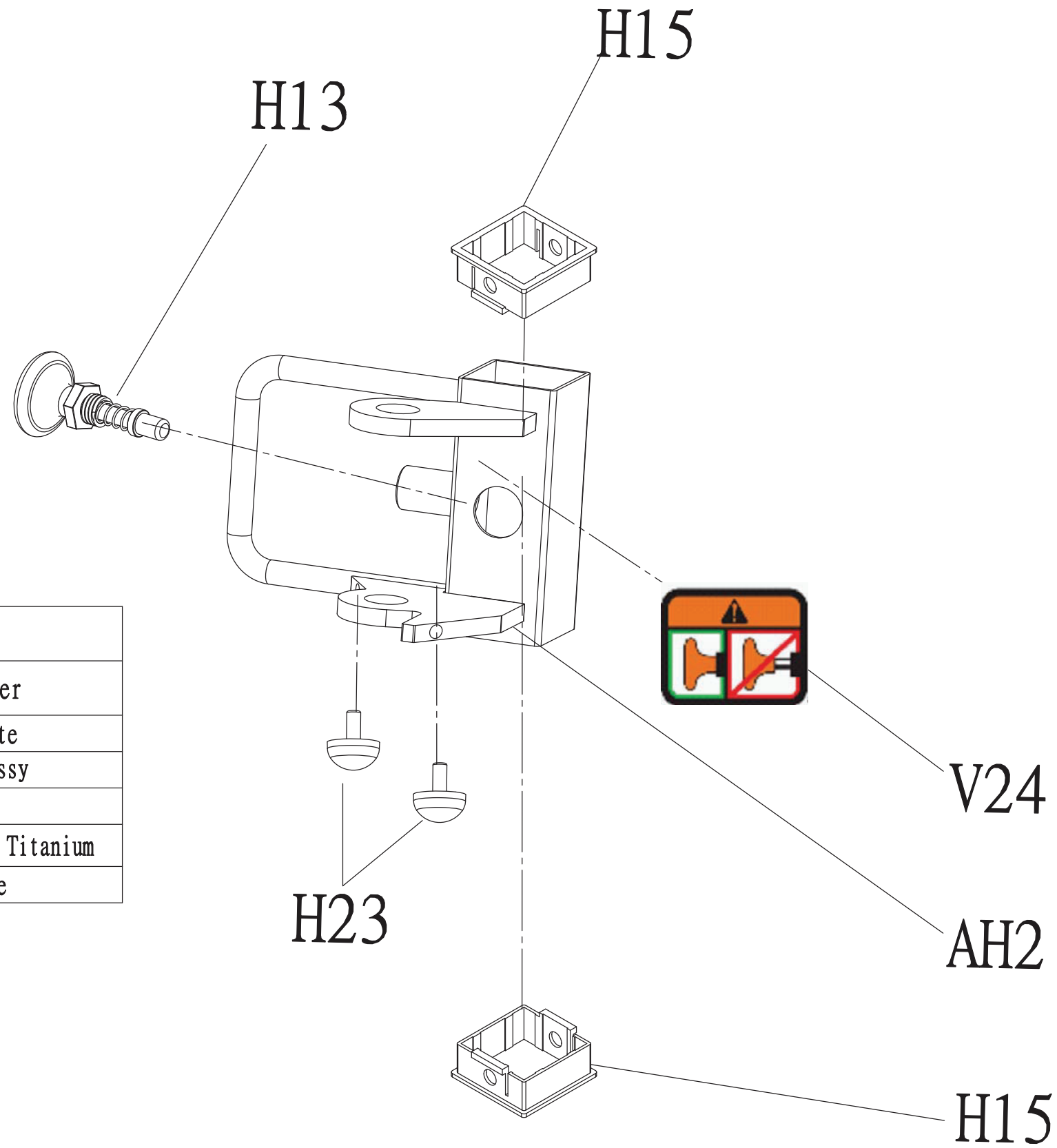
DRAWING NO	GM106-SF01		
PART NAME	Head Weight Plate		
PART NO	1000394430	REV	A
APPROVE	Forrest	DATE	07/25/16



DRAWING NO	GM106-SF36		
PART NAME	Rendering;Steel Rope Unassembled;GM106		
PART NO	1000474134	REV	A
APPROVE	wangtao	DATE	2022.01.11

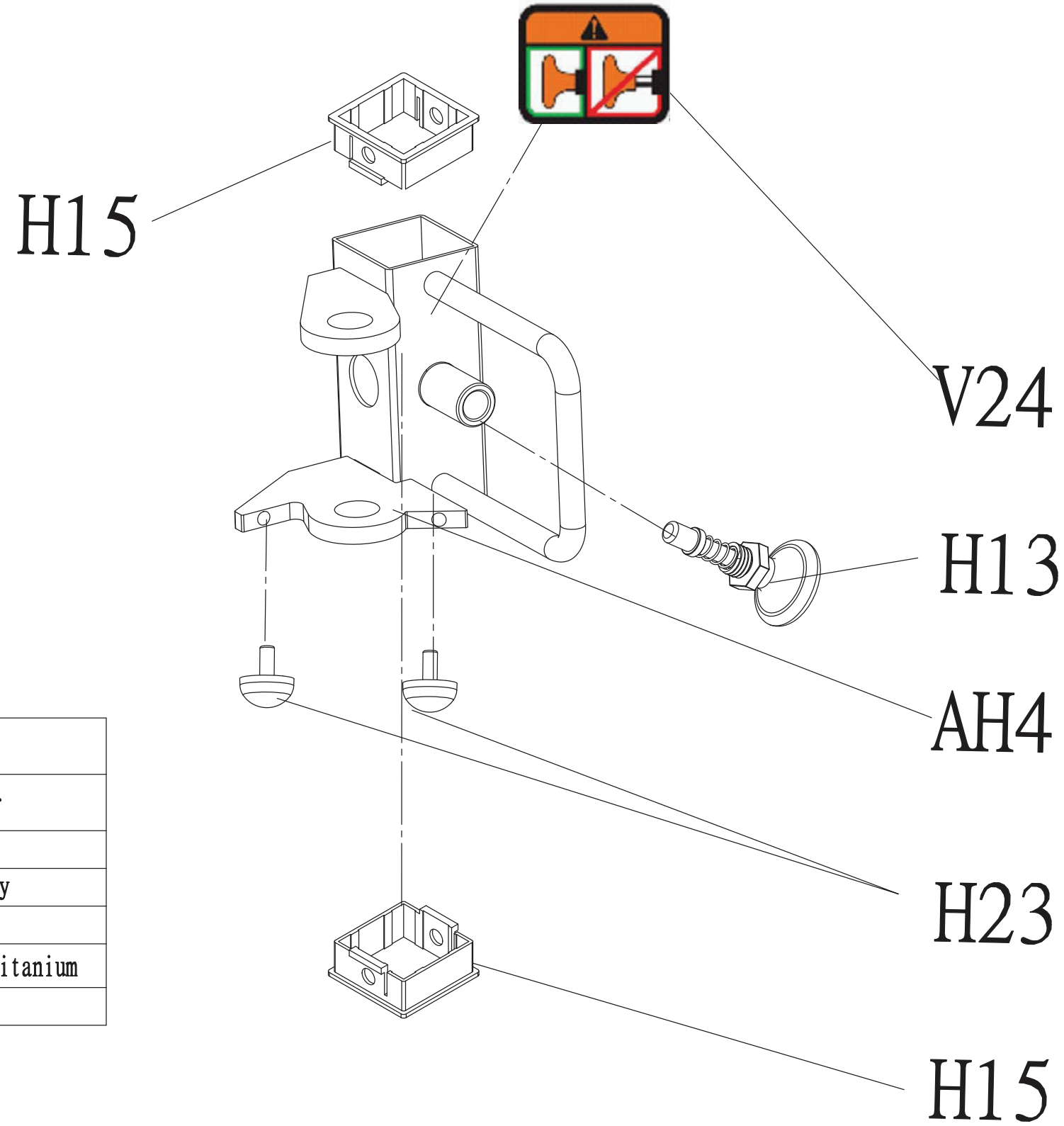


DRAWING NO	GM106-SF02		
PART NAME	Adjust Set ; Left ; Paint ; GM106		
PART NO	See Chart	REV	A
APPROVE	Forrest	DATE	07/25/16



Prat NO.	Color
1000394527	Iced Sliver
1000394528	Black Matte
1000394529	Black Glossy
1000394530	Platinum
1000394531	Polarized Titanium
1000394532	Lace White

DRAWING NO	GM106-SF03		
PART NAME	Adjust Set ; Right ; Paint ; GM106		
PART NO	See Chart	REV	A
APPROVE	Forrest	DATE	07/25/16



Prat NO.	Color
1000394534	Iced Sliver
1000394536	Black Matte
1000394538	Black Glossy
1000394540	Platinum
1000394541	Polarized Titanium
1000394542	Lace White

Bubble#	OEM Number	Description	Notes
1	1000372713	Up Weight Plate Set-Exreawork Weight Pla	
2	1000394527	Adjust set Semi-Assy left Iced Sliver	
3	1000394534	Adjust set Semi-Assy right Iced Sliver	
4	1000392076	Link set up Black Matte GM106 Service	
AB3	1000392063	Frame Set left Iced Sliver GM106 Serv	
AB7	1000392069	Frame Set right Iced Sliver GM106 Ser	
AF3	1000431432	Plastic Ball Steel Rope PA66+GF30% MS	
AF4	1000431435	Fix Block Rop Chrome MS10	
AF5	1000431433	Protect Bushing Steel Rope PU BL/Black	
AF6	1000305873	Screw Socket Head M5X0.8PX6L Hex Socket	
AH1	1000378500	Pulley Adjust Tube-Exreawork Guide Rail	
AH13	1000401242	Guide base set Semi-Assy Iced Sliver	
AH6	1000424807	Pulley Adjust Tube-Exreawork Guide Rail	
AK7	1000372745	Support Set Weight Plate D painting Bla	
AQ2	1000392095	Fix set Black Matte GM106 Service	
B14	1000112985	Elastomer Weight Plate GM59	
B34	1000487589	Stopper Block SBR BL/Black C FW202	
B35	1000376310	Tight bar Cover M painting Black Matte	
B49	098998	Fixing Plate Base GM40	
B51	1000375328	Cap Elliptical TPU Diam.50x150x3T GM10	
B53	1000463037	Tube Cap EPDM+PP BL/Black C 50.5x100	
B57	1000303546	Plastic Pad Foot Pad - PP BL427	
B59	1000233200	PLASTIC COVER NBR BL	
B61	1000391446	Rubber Pad Protect down NBR Black 7C 227	
B63	089983	Grip MS21KM-G3	
F01	020112-A	Screw Hex Socket Round M10x1.5Px50L(Tooth15)	
F03	1000474134	Steel Rope Set No Fix Block Press Rope	Contains AF2, AF3, AF5. // If you are ordering this kit to upgrade the cable on a strength machine, please also order the eyelet (1000431435) and screw (1000305873). See the service bulletin "Cable Field Upgrade" for more information.
F06	009247-A	Axle Swivel S45C 10x25L	
F07	1000380094	Karabiner Spring Snap 9(45mmx90mm) Sta	

F40	073573	Pulley 115mm	
F46	073572	Pulley 90mm	
G09	009371-E	Cap Grip GM03	
G11	000615-D	Foam Elastomer 24x5.0tx185L	
G13	009356-B	Stopper Mast Foam AL6061 GM03	
G15	004855-A	Set Screw M6X1.0PX4L(Chromed)	
G17	086035	Cap Grip GM204	
H12	001407-A	End-Cover Square Tube GM03	
H13	1000090177	Pull Pin Handle Orange TPP 137C MS10	Handle
H13	014788-E	Metal Pin Pull Pin	Pull pin
H15	000845-F	Sleeve 60x60 Delrin GM19	
H16	1000398066	Sleeve Adjustment GM106	
H19	009354-A	Stopper Mast SS41 Zn Plate MS21	
H20	005058-AB	Washer Flat 12x26x2T Chromed	
H21	1000399550	Nut Nylon M20x2.5P Grade 12.9 Chrome	
H23	086032	Bolt Cover GM16	
H41	005031-AC	WASHER FLT Diam.20.2XDiam.30.0X2.0T CHM	
K06	015942-AA	Weight Plate Set 10 Lbs Dry Bearing	
K09	1000210973	Guide Rail 19x2000L	
K11	1000375460	Pin set Semi-Assy WEIGHT PLATE GM106	
K13	1000102912	Circlip External C Type S-30 BED	
K15	1000105039	Pin Spring 10X70 OXIDIZE	
K24	001508-E	Long Guide Rubber Plate POM	
K31	019151-AA	Rubber Bumper Weight Stack	
Not Shown	1000495321	Snap lock solid group Contain Karabin	Carabiner with snap lock kit (can be purchased to replace F07).
Not Shown	1000495320	Karabiner Spring Snap 9(45mmx90mm-Pin1	Carabiner ONLY (part of 1000495321)
Not Shown	1000474517	Snap lock solid group Semi-Assy Used f	Snap lock ONLY (part of 1000495321)
Not Shown	1000372735	Hardware Set Semi-Assy GM106	
Not Shown	1000393838	Label set Semi-Assy English/France GM	
Q03	1000365411	Cover Weight Plate ABS 3T GM106	This cover is used on the back AND the front of the weight stack.
Q05	1000303486	Clamp Cover -	
Q09	1000372739	Plastic Bar Label up PVC 1895L GM106	



V04	006662-A	Decal Adjustable	
V21	1000372762	Spec Label Weight Plate 10lbs*15 PC G	Labels reflect the effective resistance (1:2 pulley ratio), not actual plate weight.
V22	1000109127	Decal Pinch Point MS21KM-G3	
V24	1000375665	Warning Label PULL PIN PC GM106	
V29	1000369167	Warning Label Frame PC English/French	
V32	1000372766	Marking 70x42 Black Word/Silver Base PE	
V34	1000379892	Instructional Labe Left GM106	
V35	1000382782	Instructional Labe GM106 Right	
V39	1000393842	Warning Label Heavy End 56X30 English	
V39	1000421609	Warning Label	
Z01	004703-AF	Screw Flat Hex Socket M8x1.25Px20L	
Z02	087955	Screw BH M6X1.0PX10L HS CHM BP	
Z04	1000104692	Screw RND M10x1.5Px45L HS CHM BP G12.9	
Z05	1000379489	Screw Flat Head M6X5L Hex Socket Chrom	
Z06	1000102869	Screw Hex Socket Round M12x1.75Px25L Cr	
Z09	004706-A	Screw TH M6X1.0PX16L HS BZN	
Z12	004938-00	Nut Nylon M6X1.0P Chromed	
Z13	1000105174	Nut Nylon M10x1.5P G12.9 CHM	
Z14	1000309031	Screw Hex Socket Button Head M6X1.0PX45L	
Z17	004533-AD	Screw SH M8X1.25PX65L HS CHM BP	
AB3	1000392063	Frame Set left Iced Sliver GM106 Serv	
AF2	1000434805	Steel Rope Set	Please order kit (F03) instead.
AG1	1000372719	Connecting Set Connect U welding GM106	Part of Kit
AH2	1000392082	Adjust set left Iced Sliver GM106 Ser	Part of Kit
AH4	1000392088	Adjust set right Iced Sliver GM106 Se	Part of Kit
AK4	1000372714	Top Weight Plate Set painting GM106	Part of Kit
K04	1000372715	Adjustable Mast-Extrawork Weight Plate m	Part of Kit
1	1000394430	Top Weight Plate Set Semi-Assy GM106	Discontinued
B34	090440	Stopper BlockRubber GM30	Discontinued
B53	1000371560	Cap Elliptical TPU Diam.50.0xDiam.100.	Discontinued
F03	1000365427	Steel Rope-Extrawork Cable End up Press	Discontinued - See service bulletin "Cable Field Upgrade".

F03	1000431543	Steel Rope-Extrawork Cable End up Press
H16	1000399446	Adjustable Sleeve ADJ 20CrMo GM106 Dia
V39	1000375666	Warning Label Heavy End 56X30 French
V39	1000376099	Warning Label Heavy End PVC GM106

See service bulletin "Cable Field Upgrade". //  
Note: The cable stopper components are also  
available to order separately. See the diagram  
page Cable End Stopper below.

Discontinued

Discontinued

Discontinued